



Cover 1:  
Future Stone

Smokey Grey Feet

# Churchill Collection

Colours represented are to be used as a guide only.  
Please refer to manufacturers swatch for a more accurate colour match.

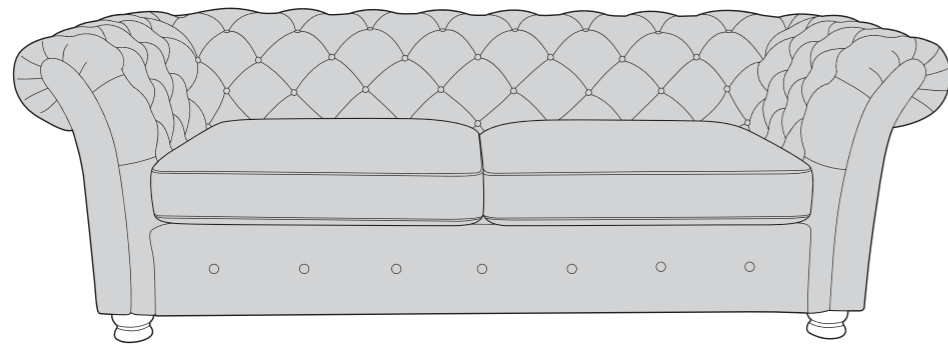
Please note that colour shadings can vary slightly from each roll of fabric.  
We cannot guarantee a precise match to these samples or between cut lengths and upholstered goods.

04/03/2020

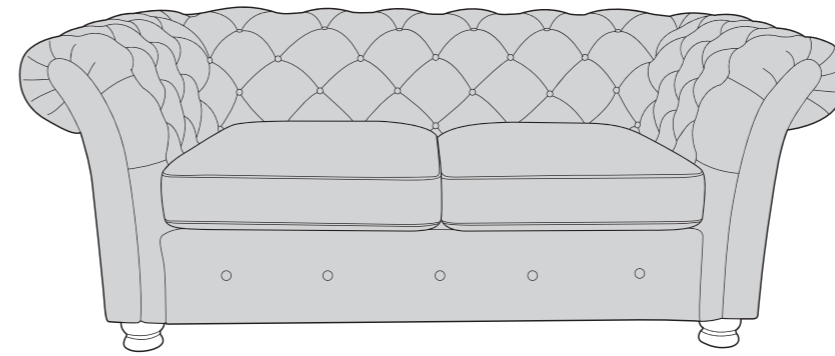
# CHURCHILL COVER GUIDE: STANDARD BACK ONLY

Please use this guide when ordering the following pieces to clarify cover options.

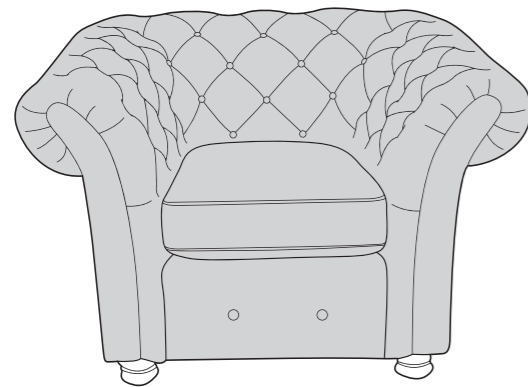
3 Seater Sofa (3ST)



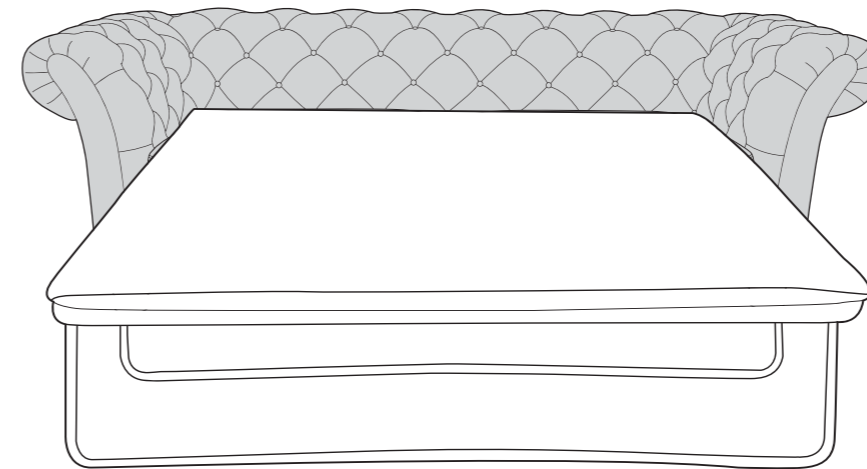
2 Seater Sofa (2ST)



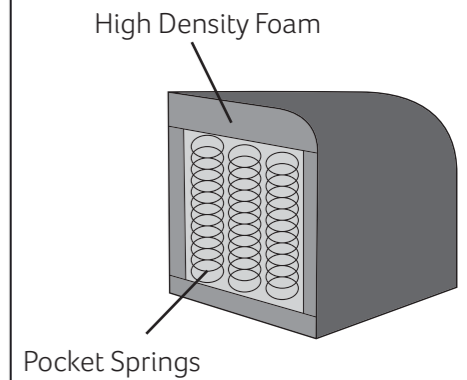
Arm Chair (1ST)



140CM Sofabed (3SB)

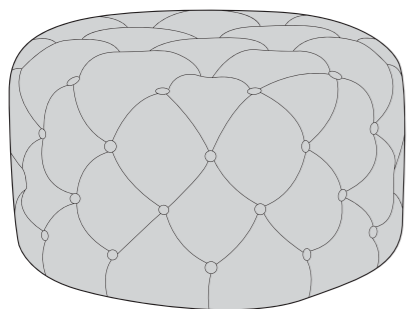


## Pocket Sprung Foam Seats



## ACCENT PIECES

Churchill Round Buttoned Footstool (FST)



# CHURCHILL DIMENSIONS (CM)

AVAILABLE PIECES	HEIGHT 1	OUTBACK HEIGHT	WIDTH 2	DEPTH 3	ARM HEIGHT	SEAT HEIGHT 4	SEAT DEPTH 5	SEAT WIDTH 6	ACCESS DIAGONAL 7	WEIGHT (KG)
3 SEATER SOFA	82.5	82.5	223.5	100	82.5	52	63.5	157.5	230	62.5
2 SEATER SOFA	82.5	82.5	180	100	82.5	52	63.5	114	190	49.5
ARMCHAIR	82.5	82.5	124	100	82.5	52	63.5	49.5	137	33
<b>SOFA BEDS</b>										
140cm SOFABED	82.5	82.5	223.5	100	82.5	52	63.5	157.5	230	80
<b>ACCENT PIECES</b>										
ROUND BUTTONED FOOTSTOOL	40	N/A	72	72	N/A	N/A	N/A	N/A	N/A	8



- \* Fixed Foam back for added comfort.
- \* Pocket Sprung Foam Seats
- \* Smokey Grey Foot

- \* Serpentine seat springs & silent wire.
- \* Buttoned detailing on arms and back.

## SOFABED

### STANDARD ACTION & FOAM MATTRESS

A three fold metal action with a sprung 'polyprop' base. Complemented by a high performance foam mattress. For occasional use only.

**Mattress Thickness: 6cm**

**Mattress Length: 178cm**

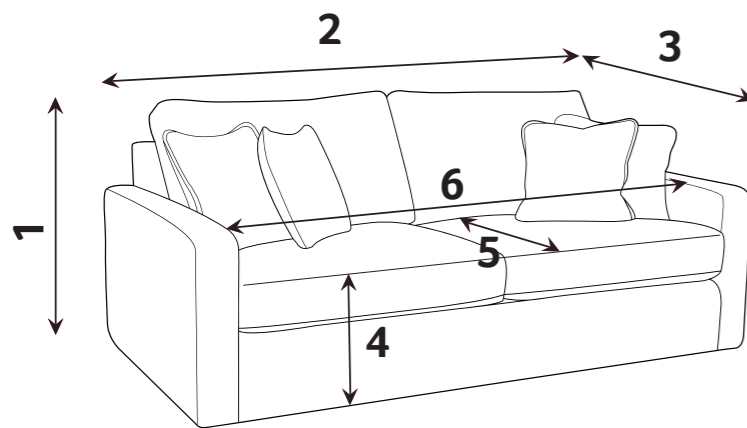
**3 fold action is 124.5Kg total max occupancy weight**

140cm sofa bed:

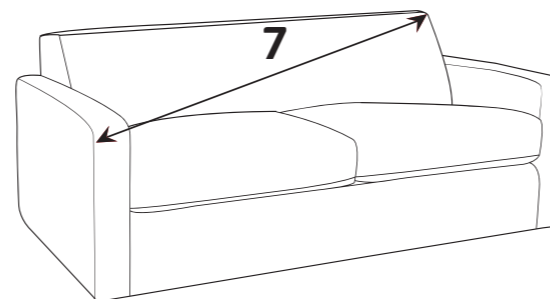
	3S (3SB)	
--	-------------	--



## DIMENSION GUIDE



Check the diagonal access dimension to ensure furniture will fit in your home.



1 - HEIGHT  
2 - WIDTH

3 - DEPTH  
4 - SEAT HEIGHT

5 - SEAT DEPTH (STD & PILLOW)  
6 - SEAT WIDTH

7 - DIAGONAL ACCESS

Illustrations used for reference only.

## POCKET SPRUNG FOAM SEATS

Pocket springs surrounded by high density foam which provides both comfort and support.

## CARE GUIDE

For further information on maintaining your furniture, please refer to the Care Guide located under the seat platform.

Smokey Grey



## FOOT OPTIONS:

Wood is a natural product and will vary in shade/colour from item to item. Feet require fitting.

Please note : All dimension are approximate. Allow tolerance of +/- 2.5cm.



04/03/2020